

DESCRIPTION

AMC MODEL SWN-218-2DR-STD OPTION 250M3, HPR30W & MINUS20V IS A REFLECTIVE SINGLE POLE TWO THROW SWITCH DESIGNED FOR HIGH POWER APPLICATIONS BETWEEN A 250 MHz TO 3 GHz FREQUENCY RANGE.

SPECIFICATIONS

- FREQUENCY RANGE: 250 MHz TO 3 GHz
- INSERTION LOSS: 2.5 dB MAXIMUM
- ISOLATION: 70 dB MINIMUM
- VSWR: 2.0:1
- DELAY ON: 100 nSec MAXIMUM
- DELAY OFF: 100 nSec MAXIMUM
- RF POWER: 30WATT CW COLD SWITCHING
- CONTROL: TTL SINGLE CONTROL
 LOGIC "0" = J1 TO J2 ON
 LOGIC "1" = J1 TO J3 ON
- POWER SUPPLY: +5V @ 100 mA MAXIMUM
 -20V @ 75 mA MAXIMUM
- CONNECTORS:
 RF: SMA FEMALE
 POWER: SOLDER PIN
 CONTROL: SOLDER PIN

OPTIONS:

- MINUS20V -20V POWER SUPPLY
- HPR30W: POWER HANDLING OF 30 WATTS
- 250M3: 250 MHz TO 3 GHz FREQUENCY RANGE

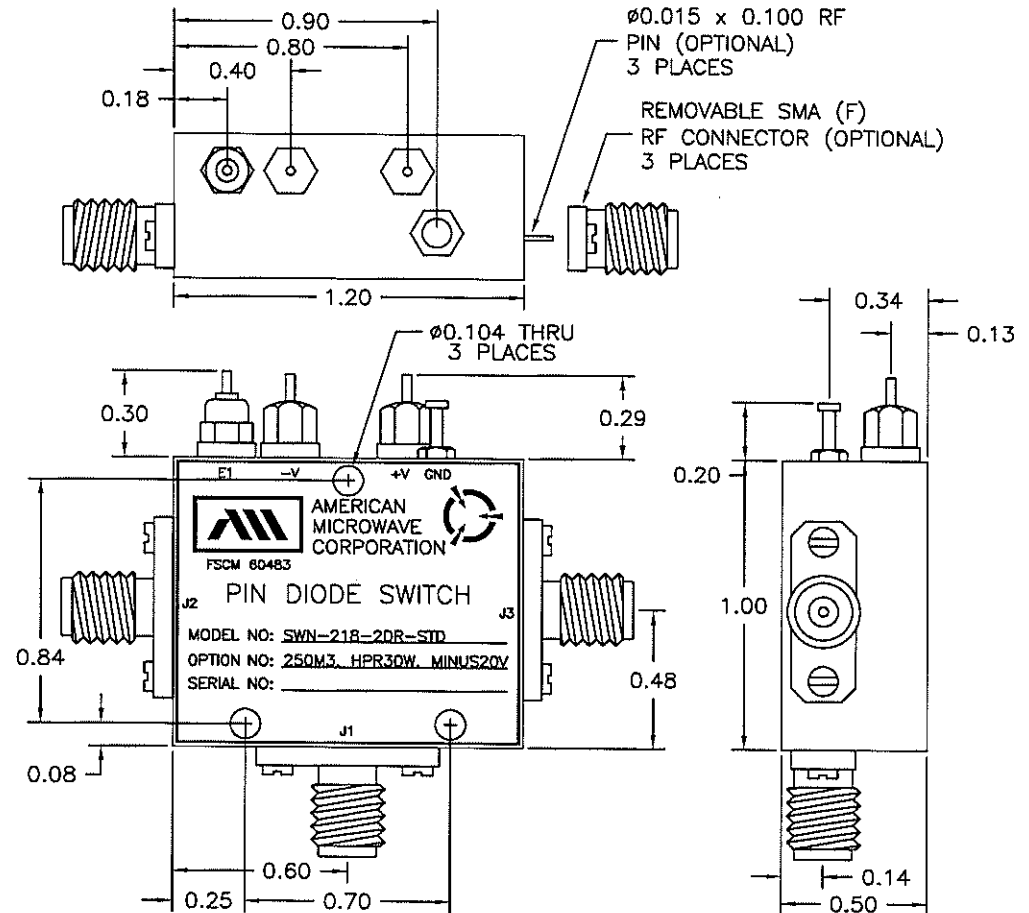
ENVIRONMENTAL RATINGS:

- TEMPERATURE: 0 TO +50°C (OPERATING)
 -65°C TO +125°C (STORAGE)
- HUMIDITY: MIL-STD-202F, METHOD 103B COND. B
- SHOCK: MIL-STD-202F, METHOD 213B COND. B
- VIBRATION: MIL-STD-202F, METHOD 204D COND. B
- ALTITUDE: MIL-STD-202F, METHOD 105C COND. B
- TEMPERATURE CYCLE: MIL-STD-202F, METHOD 107D COND. A

NOTE: SPECIFICATIONS WILL VARY OVER OPERATING TEMPERATURE
 NOTE: THE ABOVE SPECIFICATIONS ARE SUBJECT TO CHANGE OR REVISION

ALL DIMENSIONS ARE IN INCHES
 TOLERANCES:
 X.XX ±0.020
 X.XXX ±0.010

REVISIONS				
ZONE	REV.	DESCRIPTION	DATE	APPROVED
-	-	ORIGINAL RELEASE JOB# 711222E	12/5/07	



AMERICAN MICROWAVE CORPORATION

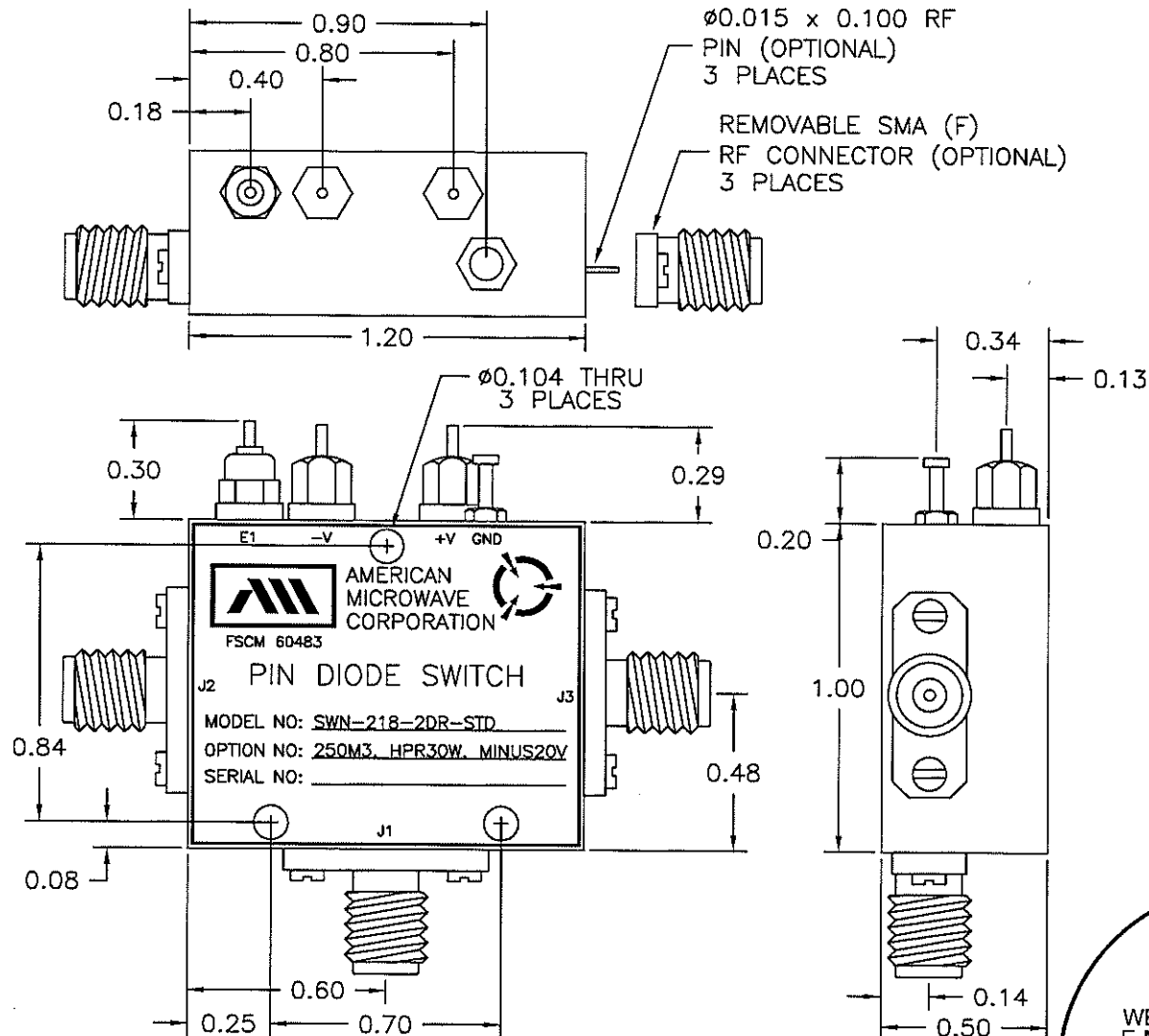
7311-G GROVE ROAD
 FREDERICK, MARYLAND 21704 USA
 TEL: 301-662-4700 FAX: 301-662-4938
 WEBSITE: www.americanmicrowavecorp.com
 E-MAIL: sales@americanmicrowavecorp.com
 ISO 9001:2000 CERTIFIED



APPROVALS		DATE	TITLE			
DRAWN	<i>KMS</i>	12/5/07	PRODUCT FEATURE SWN-218-2DR-STD OPTION: 250M3, HPR30W, MINUS20V 250 MHz-3 GHz, SINGLE POLE TWO THROW SWITCH			
CHECKED	<i>JA</i>	12/7/07	SIZE	FSCM NO.	DWG NO.	REV.
ISSUED			A	60483	100-7638-2	-
			SCALE	N:S		SHEET
					1 OF 4	

DESCRIPTION

AMC MODEL SWN-218-2DR-STD OPTION 250M3, HPR30W & MINUS20V IS A REFLECTIVE SINGLE POLE TWO THROW SWITCH DESIGNED FOR HIGH POWER APPLICATIONS BETWEEN A 250 MHz TO 3 GHz FREQUENCY RANGE.



MECHANICAL OUTLINE

AMERICAN MICROWAVE CORPORATION

7311-G GROVE ROAD
 FREDERICK, MARYLAND 21704 USA
 TEL: 301-662-4700 FAX: 301-662-4938
 WEBSITE: www.americanmicrowavecorp.com
 E-MAIL: sales@americanmicrowavecorp.com
 ISO 9001:2000 CERTIFIED

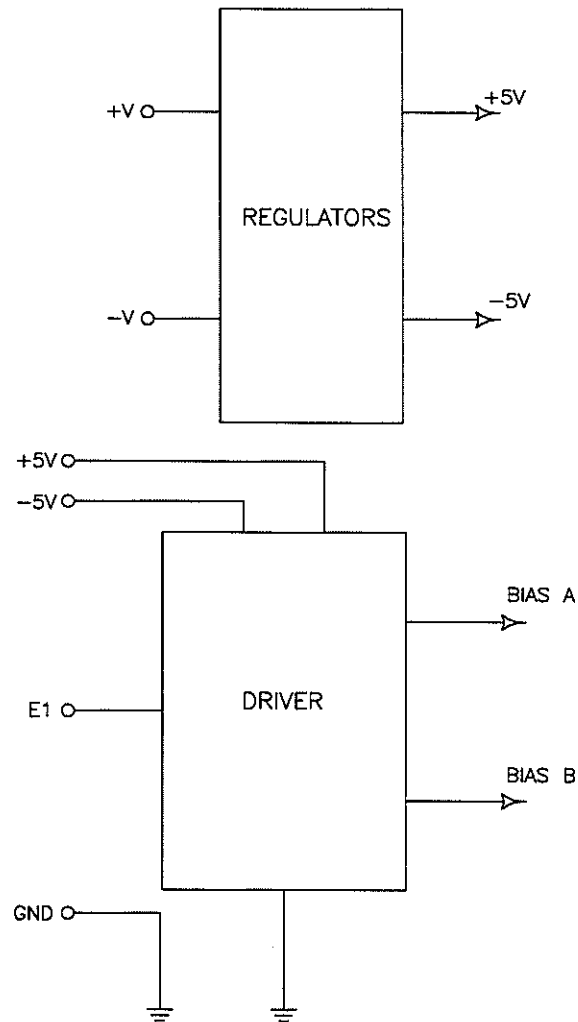


ALL DIMENSIONS ARE IN INCHES
 TOLERANCES:
 X.XX ±0.020
 X.XXX ±0.010

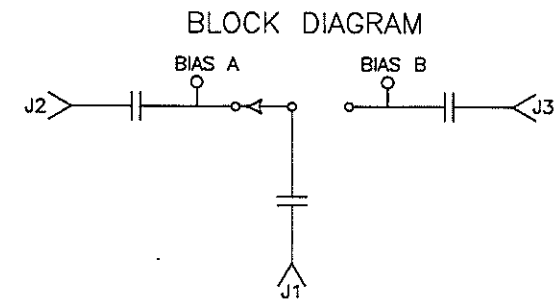
APPROVALS		DATE	TITLE			
DRAWN		12/5/07	MECHANICAL OUTLINE SWN-218-2DR-STD			
CHECKED		12/1/07	OPTION: 250M3, HPR30W, MINUS20V 250 MHz-3 GHz, SINGLE POLE TWO THROW SWITCH			
ISSUED			SIZE	FSCM NO.	DWG NO.	REV.
			A	60483	100-7638-2	-
			SCALE	N:S		SHEET
					2 OF 4	

DESCRIPTION

AMC MODEL SWN-218-2DR-STD OPTION 250M3, HPR30W & MINUS20V IS A REFLECTIVE SINGLE POLE TWO THROW SWITCH DESIGNED FOR HIGH POWER APPLICATIONS BETWEEN A 250 MHz TO 3 GHz FREQUENCY RANGE.



FUNCTIONAL BLOCK DIAGRAM



AMERICAN MICROWAVE CORPORATION

7311-G GROVE ROAD
 FREDERICK, MARYLAND 21704 USA
 TEL: 301-662-4700 FAX: 301-662-4938
 WEBSITE: www.americanmicrowavecorp.com
 E-MAIL: sales@americanmicrowavecorp.com
 ISO 9001:2000 CERTIFIED



APPROVALS		DATE	TITLE			
DRAWN	<i>KMS</i>	12/5/07	FUNCTIONAL BLOCK DIAGRAM SWN-218-2DR-STD			
CHECKED	<i>lt</i>	12/7/07	OPTION: 250M3, HPR30W, MINUS20V 250 MHz-3 GHz, SINGLE POLE TWO THROW SWITCH			
ISSUED			SIZE	PSCM NO.	DWG NO.	REV.
			A	60483	100-7638-2	-
			SCALE	N:S		SHEET 3 OF 4